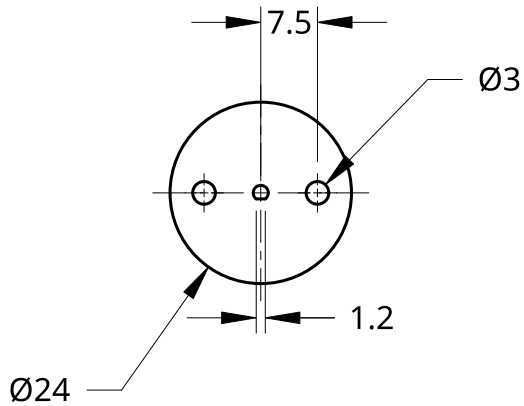
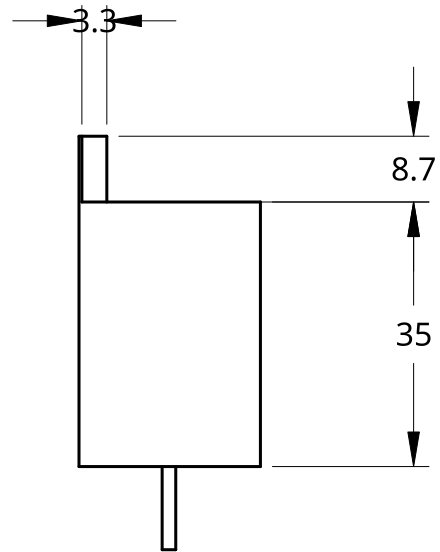
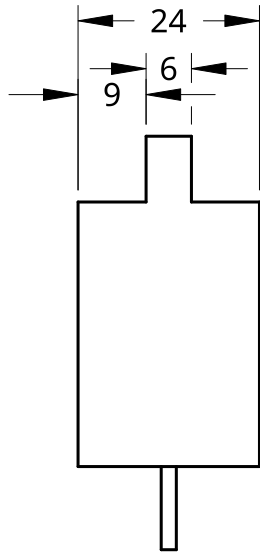
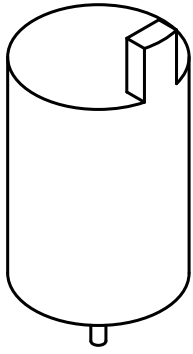
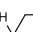



2

1



UNLESS OTHERWISE SPECIFIED, DIMENSIONS ARE IN MILLIMETERS ANGULAR = ± ° SURFACE FINISH  DO NOT SCALE DRAWING BREAK ALL SHARP EDGES AND REMOVE BURRS THIRD ANGLE PROJECTION 	DRAWN	NAME	DATE	TITLE Motor Dimensions	
	CHECKED	PEYTON SLIND	01/17/2025		
	APPROVED				
	MATERIAL	FINISH	SIZE	DWG NO.	REV.
			A		
			SCALE	WEIGHT	SHEET
			1:1		1 of 1

2

1

B

B

A

A